



目录 CONTENTS

A	Open End Blind Rivets	A01 Aluminium/Stainless Steel Open End	1
		A02 Aluminium/Stainless Steel Open End Countersunk Head	3
		A03 Stainless Steel/Steel Open End	5
		A04 Stainless Steel/Steel Open End Countersunk Head	7
		A05 Stainless Steel/Stainless Steel Open End	9
		A06 Stainless Steel/Stainless Steel Open End Countersunk Head	11

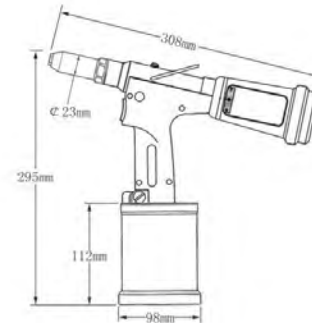
B	Closed End Blind Rivets	B01 304 Stainless Steel/304 Stainless Steel Closed End	13
		B02 304 Stainless Steel/420 Stainless Steel Closed End	15
		B03 Steel/Steel Closed End	17
		B04 Aluminium/Stainless Steel Closed End	19

C	Structural Rivets	C01 Stainless Steel/Stainless Steel Single-Grip	21
		C02 Stainless Steel/Stainless Steel Multi-Grip	22
		C03 Steel/Steel Single-Grip	23
		C04 Steel/Steel Multi-Grip	24
		C05 Steel/Steel Hem-Fix	25
		C06 Stainless Steel/Stainless Steel Hem-Fix	26
		C07 Aluminium/Aluminium H-Lock	27
		C08 Aluminium/Aluminium H-Lock Countersunk Head	28
		C09 Aluminium/Aluminium H-Bolt	29
		C10 Aluminium/Aluminium H-Bolt Countersunk Head	30
		C11 Steel/Steel H-Lock	31
		C12 Steel/Steel H-Lock Countersunk Head	32
		C13 Steel/Steel H-Bolt	33
		C14 Steel/Steel H-Bolt Countersunk Head	34
		C15 Stainless Steel/Stainless Steel H-Lock	35
		C16 Stainless Steel/Stainless Steel H-Lock Countersunk Head	36
		C17 Stainless Steel/Stainless Steel H-Bolt	37
		C18 Stainless Steel/Stainless Steel H-Bolt Countersunk Head	38
		C19 Tri-fold Rivet	39
		C20 Tri-fold Rivet With Water Resistance	40

D	Rivet Nuts	D01 Cylindrical/Grooved Flat Head Rivet Nuts	41
		D02 Cylindrical/Grooved Countersunk Head Rivet Nuts	42
		D03 Half-Hex/Hex Flat Head Rivet Nuts	43
		D04 Cylindrical/Grooved Flat Head Closed End Rivet Nuts	44

E	Riveting Tools	E01 For Blind Rivets	45
		E02 For Blind Rivets	46
		E03 For Blind Rivet Nuts	47

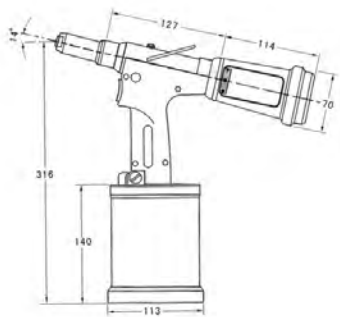
E01 For Blind Rivets



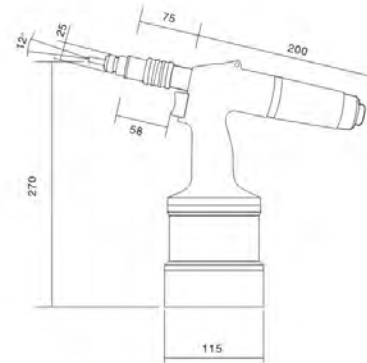
技术参数 Technical Data

HQ-202

拉钉范围 Suitable for	2.4,3.2,4.0,4.8mm常规铆钉 3/32" ,1/8" ,5/32" ,3/16" standard rivets
耗气量 Air consumption	2.6升 2.6ltr.
拉力 Full force	10.9KN @ 6bar 10.9KN @ 6bar
行程 Stroke	20mm 20mm
气压 Air pressure	5-7巴 5~7bar
噪音等级 Noise level	75dB(A) 75dB(A)
重量 Weight	1.5Kg 1.5Kg

E02 For Blind Rivets

技术参数 Technical Data
HQ-203

拉钉范围 Suitable for	4.0,4.8,6.4mm常规铆钉及MONOBOLT铆钉 5/32", 3/16", 1/4" standard rivets and MONOBOLT rivets.
耗气量 Air consumption	4.8升 4.8ltr.
拉力 Full force	15.2KN @ 6bar 15.2KN @ 6bar
行程 Stroke	26mm 26mm
气压 Air pressure	5~7巴 5~7bar
噪音等级 Noise level	75dB(A) 75dB(A)
重量 Weight	1.7Kg 1.7Kg

E03 For Blind Rivet Nuts

技术参数 Technical Data
HM-10

拉铆适用范围 Suitable Range	M4~M12 M4~M12
重量 Weight	2.3kg 2.3kg
长度 Length	313mm 313mm
高度 Height	276mm 276mm
行程 Stroke	max. 9 mm max. 9 mm
一次行程耗气量 Air Consumption	max. 2.7litres max. 2.7litres
工作气压 Air Pressure	5~7 kgf/cm2 5~7 kgf/cm2
拉力 Full Force	2980kg 2980kg