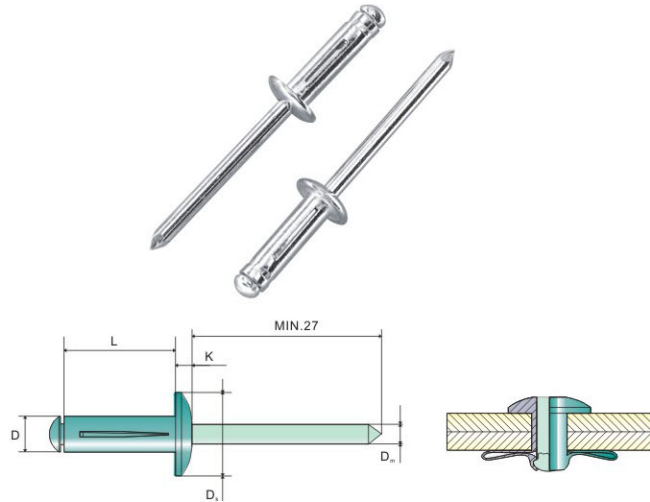


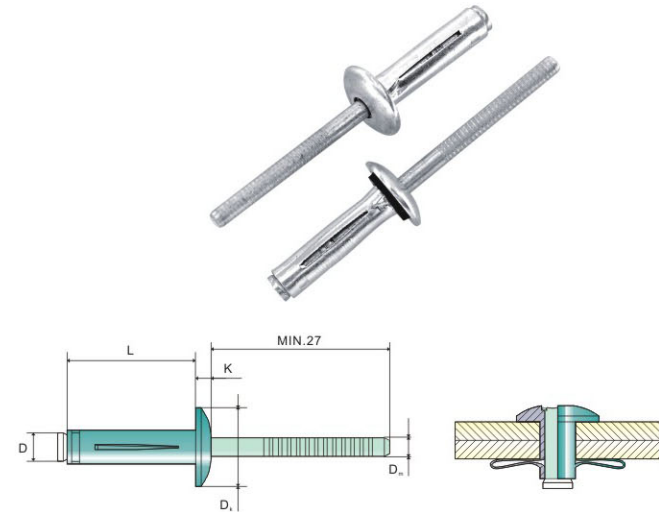




C19 Tri-fold Rivet

Aluminium

| D | P/N | L +1 |  | D _k | K Max | D _m Max | Drill  | T (N) | S (N) |
|------------|-------------|---------|--|----------------|----------|-----------------------|--|----------|----------|
| 4.0 | HDL-L4.0*14 | 14 | 1.0-3.0 | 8.5 | 1.6 | 2.5 | 4.2-4.3 | 750 | 600 |
| | HDL-L4.0*18 | 18 | 1.0-7.0 | | | | | | |

| D | P/N | L +1 |  | D _k | K Max | D _m Max | Drill  | T (N) | S (N) |
|------------|-------------|---------|---|----------------|----------|-----------------------|--|----------|----------|
| 4.8 | HDL-L4.8*16 | 16 | 1.0-4.0 | 10.1 | 2.1 | 2.9 | 5.0-5.1 | 1050 | 750 |
| | HDL-L4.8*20 | 20 | 1.0-9.0 | | | | | | |
| | HDL-L4.8*24 | 24 | 4.0-12.0 | | | | | | |

C20 Tri-fold Rivet With Water Resistance

Aluminium

| D | P/N | L +1 |  | D _k | K Max | D _m Max | Drill  | T (N) | S (N) |
|------------|--------------|---------|--|----------------|----------|-----------------------|--|----------|----------|
| 4.8 | H2DL-L4.8*25 | 25 | 4.7-9.5 | 11.8 | 2.2 | 2.9 | 5.1-5.3 | 1100 | 2200 |

| D | P/N | L +1 |  | D _k | K Max | D _m Max | Drill  | T (N) | S (N) |
|------------|--------------|---------|---|----------------|----------|-----------------------|--|----------|----------|
| 6.4 | H2DL-L6.4*23 | 23 | 1.5-6.3 | 14.2 | 2.9 | 3.8 | 6.5-6.6 | 2800 | 4500 |